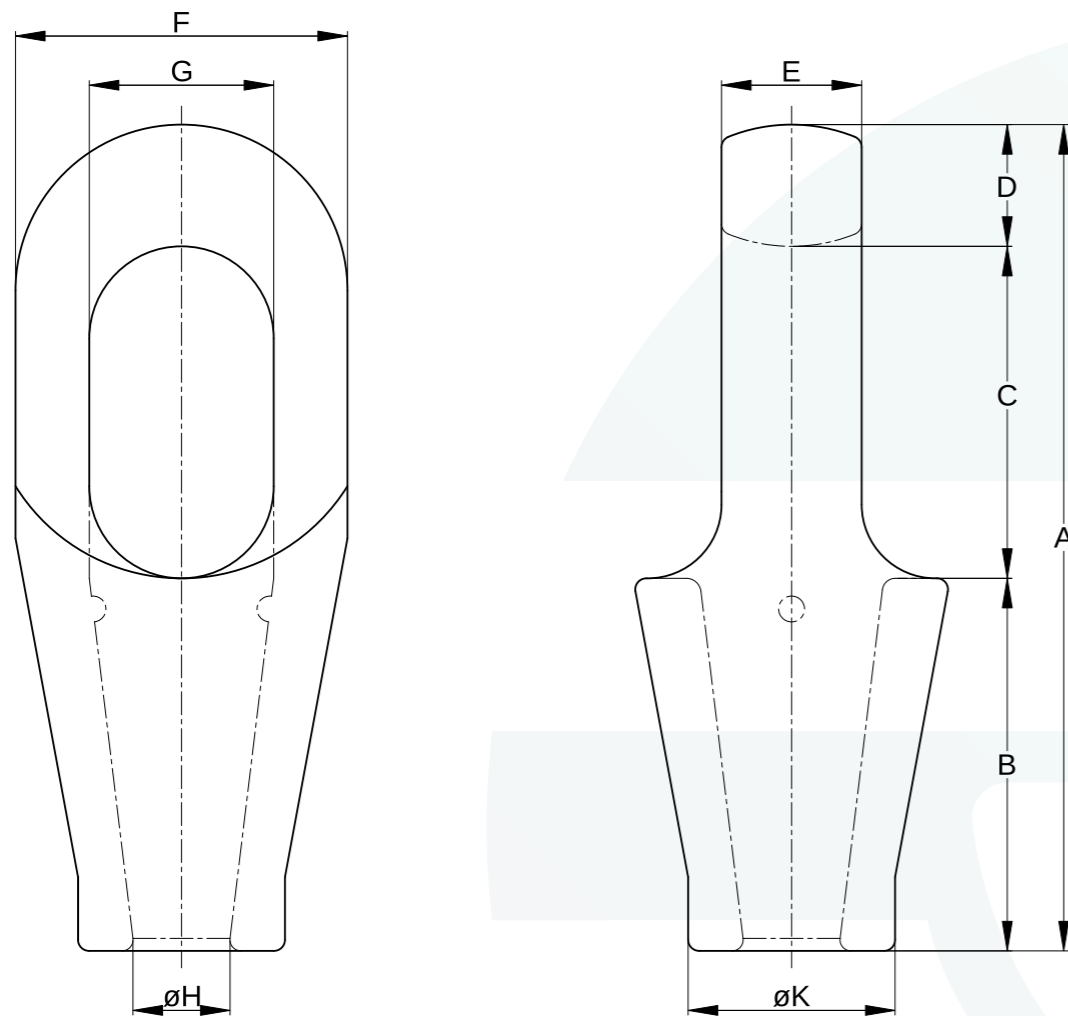




# Closed Spelter Sockets



Available for wire rope sizes from  $\varnothing$  6 mm to  $\varnothing$  128 mm (1/4" to 5") with an efficiency rating of 100%. Meets the performance requirements of the EN 13411-4 norm.

## AQUALLINE CLOSED SPELTER SOCKET. MM DIMENSIONS

Model Number	MBL (Mtons)	For Wire Rope $\varnothing$ mm	Structural Strand $\varnothing$ mm	Approx. Resin Volume (cc)	Dimensions (mm)										Weight (kg)
					A	B	C	D	E	F	G	$\varnothing$ H	$\varnothing$ K		
CSS 296	8	6 - 7	-	10	102	46	45	11	14	38	22	10	20	0.3	
CSS 297	12	8 - 10	-	20	120	54	52	14	17.5	44	24	13.5	26	0.5	
CSS 298	20	11 - 13	-	35	140	64	59	17	23	53	30	15	30	0.7	
CSS 299	25	14 - 16	12 - 13	50	162	76	65	21	26	67	36	18.5	38.5	1.3	
CSS 200	40	18 - 19	14 - 16	80	194	89	78	27	32	77	42	22.5	46	2.1	
CSS 201	55	20 - 22	18 - 19	125	224	101	90	33	38	92	50	26.8	55	3.6	
CSS 204	80	23 - 26	20 - 22	160	253	114	103	36	45	101	57	29.5	62	5.1	
CSS 207	100	27 - 30	24 - 26	210	282	127	116	39	51	114	65	34	70	7	
CSS 212	130	31 - 36	27 - 28	350	312	139	130	43	57	127	71	40	83	10.4	
CSS 215	160	37 - 39	30 - 32	425	358	152	155	51	63	140	80	44.5	90	15	
CSS 217	200	40 - 42	33 - 35	500	390	165	171	54	70	148	84	48	97	18.5	
CSS 219	250	43 - 48	36 - 40	700	443	190	198	55	76	171	95	53	112	27.5	
CSS 222	300	49 - 54	42 - 45	1250	502	216	224	62	82	193	111	58.5	125	39.5	
CSS 224	375	55 - 60	46 - 48	1425	550	229	248	73	92	219	125	68.5	135	51	
CSS 226	450	61 - 68	50 - 54	1850	597	248	270	79	102	241	140	77.5	150	67	
CSS 227	500	69 - 75	56 - 62	2300	644	279	286	79	124	273	159	83	160	96	
CSS 228	600	76 - 80	64 - 67	3400	689	305	298	86	133	292	171	89	170	118	
CSS 229	650	81 - 86	70 - 73	4100	736	330	311	95	146	311	184	95	180	142	
CSS 230	750	87 - 93	76 - 80	5200	788	356	330	102	159	330	197	99	200	175	
CSS 231	900	94 - 102	83 - 92	7700	845	381	356	108	178	362	216	110	215	230	
CSS 233	1200	108 - 115	96 - 108	10500	965	440	400	125	190	405	235	128	250	315	
CSS 240	1400	120 - 128	112 - 121	14000	1070	490	450	130	205	450	260	143	270	390	

## AQUALLINE CLOSED SPELTER SOCKET. INCH DIMENSIONS

Model Number	MBL (Mtons)	For Wire Rope $\varnothing$ inch	Structural Strand $\varnothing$ inch	Approx. Resin Volume (cc)	Dimensions (inch)										Weight (lbs)
					A	B	C	D	E	F	G	$\varnothing$ H	$\varnothing$ K		
CSS 296	8	1/4	-	10	4.00	1.81	1.77	0.43	0.55	1.50	0.87	0.39	0.78	0.7	
CSS 297	12	5/16 - 3/8	-	20	4.70	2.16	2.00	0.55	0.69	1.74	0.95	0.53	1.02	1.1	
CSS 298	20	7/16 - 1/2	-	35	5.50	2.52	2.32	0.67	0.91	2.10	1.18	0.60	1.18	1.6	
CSS 299	25	9/16 - 5/8	1/2	50	6.40	3.00	2.56	0.83	1.02	2.52	1.42	0.73	1.52	3	
CSS 200	40	3/4	9/16 - 5/8	80	7.60	3.50	3.07	1.06	1.26	2.95	1.65	0.89	1.81	4.5	
CSS 201	55	7/8	1 1/16 - 3/4	125	8.80	4.00	3.54	1.30	1.50	3.54	1.97	1.05	2.17	8	
CSS 204	80	1	1 3/16 - 7/8	160	10.00	4.50	4.05	1.42	1.77	4.00	2.24	1.16	2.44	11	
CSS 207	100	1 1/8	1 5/16 - 1	210	11.10	5.00	4.60	1.54	2.00	4.50	2.56	1.39	2.76	15	
CSS 212	130	1 1/4 - 1 3/8	1 1/16 - 1 1/8	350	12.30	5.50	5.12	1.70	2.24	5.00	2.80	1.57	3.27	23	
CSS 215	160	1 1/2	1 3/16 - 1 1/4	425	14.10	6.00	6.10	2.00	2.48	5.60	3.10	1.75	3.50	33	
CSS 217	200	1 5/8	1 5/16 - 1 3/8	500	15.40	6.50	6.70	2.13	2.76	5.90	3.20	1.90	3.80	41	
CSS 219	250	1 3/4 - 1 7/8	1 7/16 - 1 5/8	700	17.40	7.50	7.80	2.17	3.00	6.70	3.74	2.10	4.40	61	
CSS 222	300	2 - 2 1/8	1 11/16 - 1 3/4	1250	19.80	8.50	8.50	2.40	3.23	7.60	4.37	2.30	4.90	87	
CSS 224	375	2 1/4 - 2 3/8	1 13/16 - 1 7/4	1425	21.70	9.00	9.76	2.87	3.63	8.60	4.92	2.70	5.30	112	
CSS 226	450	2 1/2 - 2 5/8	1 15/16 - 2 1/8	1850	23.50	9.76	10.60	3.10	4.00	9.50	5.50	3.05	5.90	148	
CSS 227	500	2 3/4 - 2 7/8	2 3/16 - 2 7/16	2300	25.40	11.00	11.30	3.10	4.90	10.70	6.30	3.25	6.30	211	
CSS 228	600	3 - 3 1/8	2 1/2 - 2 5/8	3400	27.10	12.00	11.70	3.40	5.20	11.50	6.70	3.50	6.70	258	
CSS 229	650	3 1/4 - 3 3/8	2 3/4 - 2 7/8	4100	29.00	13.00	12.20	3.70	5.70	12.30	7.20	3.75	7.10	312	
CSS 230	750	3 1/2 - 3 5/8	3 - 3 1/8	5200	31.00	14.00	13.00	4.00	6.50	13.00	7.80	3.90	7.90	385	
CSS 231	900	3 3/4 - 4	3 1/4 - 3 3/8	7700	33.30	15.00	14.00	4.30	7.00	14.30	8.50	4.33	8.50	506	
CSS 233	1200	4 1/4 - 4 1/2	3 3/4 - 4 1/4	10500	38.00	17.30	15.70	5.00	7.50	16.00	9.30	5.00	9.80	695	
CSS 240	1400	4 3/4 - 5	4 7/16 - 4 3/4	14000	42.00	19.30	17.70	5.10	8.10	17.70	10.30	5.60	10.60	860	

MBL = Minimum Breaking Load

All sockets are supplied with a hot dipped galvanized finish. CSS 207 - CSS 240 are also available in aqua-blue primer (RAL 5018).

For more information read our 'Warnings and instructions for use'.