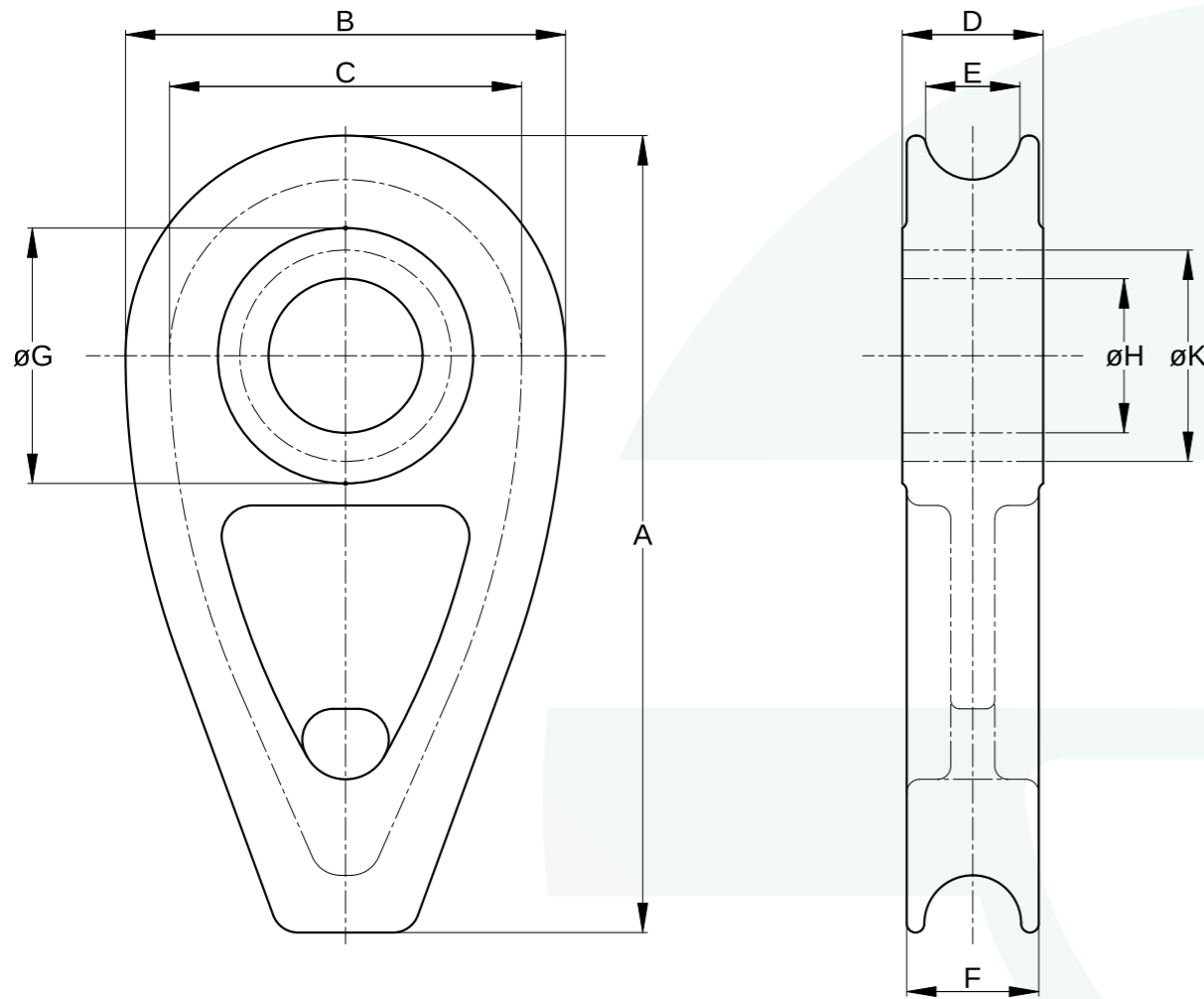


Solid Wire Rope Thimbles



Available for wire rope sizes from \varnothing 7 mm to \varnothing 80 mm ($5/16''$ to $3''$) with an efficiency rating of 90%.
Meets the performance requirements of the prEN 13411-9 norm.

AQUALLINE SOLID WIRE ROPE THIMBLE. MM DIMENSIONS

Model Number	For Wire Rope \varnothing mm	Dimensions (mm)									Weight (kg)
		A	B	C	D	E	F	\varnothing G	\varnothing H	\varnothing K	
SWRT 8	7 - 8	74	40	32	15.5	9	14	28	14	22	0.2
SWRT 10	9 - 10	92	50	40	18	11	16.5	32	18	27	0.35
SWRT 12	11 - 12	110	60	48	20.5	13	19	40	21	34	0.55
SWRT 14	13 - 14	128	70	56	24	16	22.5	45	25	38	0.9
SWRT 16	15 - 16	146	80	64	27	18	25	50	28	43	1
SWRT 18	17 - 18	167	90	72	29	20	27	54	31	49	1.4
SWRT 20	19 - 20	181	100	80	32	22	30	58	35	52	2
SWRT 22	21 - 22	204	110	88	34	24	32	65	40	59	2.4
SWRT 24	23 - 24	222	120	96	37	26	35	70	42	62	3
SWRT 26	25 - 26	235	130	104	40	29	37	75	45	68	4
SWRT 28	27 - 28	259	140	112	43	31	40	80	48	72	5
SWRT 32	30 - 32	297	160	128	47	35	44	90	53	82	7
SWRT 36	34 - 36	334	180	144	54	40	51	100	60	90	11
SWRT 40	38 - 40	366	200	160	60	44	56	118	65	105	15
SWRT 44	42 - 44	403	220	176	64	48	60	125	70	112	19.2
SWRT 48	46 - 48	440	240	192	70	53	66	140	76	125	24.6
SWRT 52	50 - 52	476	260	208	75	57	71	150	82	135	30.4
SWRT 56	54 - 56	514	280	224	82	62	78	160	88	145	39.4
SWRT 64	58 - 64	586	320	256	92	70	88	180	95	165	50
SWRT 72	68 - 72	659	360	288	103	78	98	200	105	180	70
SWRT 80	76 - 80	720	400	320	115	88	109	220	115	200	100

AQUALLINE SOLID WIRE ROPE THIMBLE. INCH DIMENSIONS

Model Number	For Wire Rope \varnothing inch	Dimensions (inch)									Weight (lbs)
		A	B	C	D	E	F	\varnothing G	\varnothing H	\varnothing K	
SWRT 8	$5/16$	2.90	1.60	1.25	0.60	0.35	0.55	1.10	0.55	0.86	0.45
SWRT 10	$3/8$	3.60	2.00	1.60	0.70	0.43	0.65	1.25	0.70	1.06	0.8
SWRT 12	$1/2$	4.30	2.40	1.90	0.80	0.50	0.75	1.60	0.80	1.34	1.2
SWRT 14	$9/16$	5.00	2.75	2.20	0.95	0.63	0.90	1.80	1.00	1.50	2
SWRT 16	$5/8$	5.75	3.15	2.50	1.06	0.70	1.00	2.00	1.10	1.70	2.2
SWRT 18	$11/16$	6.60	3.50	2.80	1.14	0.80	1.06	2.10	1.20	1.90	3
SWRT 20	$3/4$	7.10	4.00	3.15	1.26	0.86	1.18	2.30	1.40	2.00	4.4
SWRT 22	$7/8$	8.00	4.30	3.50	1.34	0.95	1.26	2.60	1.60	2.30	5.3
SWRT 24	$15/16$	8.70	4.70	3.80	1.46	1.00	1.40	2.75	1.65	2.40	6.6
SWRT 26	1	9.20	5.10	4.10	1.60	1.15	1.46	3.00	1.77	2.70	8.8
SWRT 28	$1\ 1/8$	10.20	5.50	4.40	1.70	1.22	1.60	3.15	1.90	2.80	11
SWRT 32	$1\ 1/4$	11.70	6.30	5.00	1.80	1.40	1.70	3.50	2.10	3.20	15.4
SWRT 36	$1\ 3/8$	13.10	7.10	5.70	2.10	1.60	2.00	4.00	2.40	3.50	24.3
SWRT 40	$1\ 1/2$	14.40	7.90	6.30	2.40	1.70	2.20	4.60	2.60	4.10	33
SWRT 44	$1\ 3/4$	15.90	8.70	7.00	2.50	1.90	2.40	4.90	2.80	4.40	42.3
SWRT 48	$1\ 7/8$	17.30	9.50	7.50	2.60	2.10	2.60	5.50	3.00	5.00	54.2
SWRT 52	2	18.70	10.20	8.20	3.00	2.30	2.80	5.90	3.20	5.30	67
SWRT 56	$2\ 1/4$	20.20	11.00	8.80	3.20	2.40	3.10	6.30	3.50	5.70	86.9
SWRT 64	$2\ 1/2$	23.00	12.60	10.00	3.60	2.75	3.50	7.10	3.80	6.50	110.2
SWRT 72	$2\ 3/4$	26.00	14.20	11.30	4.00	3.00	3.90	7.90	4.10	7.10	154.3
SWRT 80	3	28.30	15.70	12.60	4.50	3.50	4.30	8.70	4.50	7.90	220.5

K = Maximum machined diameter

All solid wire rope thimbles are supplied with a hot dipped galvanized finish. SWRT 26 - SWRT 80 are also available in aqua-blue primer (RAL 5018).

For more information read our 'Warnings and instructions for use'.